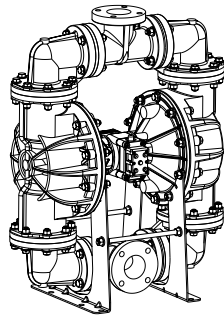


**WARREN
RUPP®**

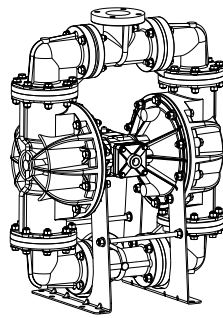
Quality System
ISO9001 Certified

Environmental
Management System
ISO14001 Certified

IDEX
IDEX CORPORATION



Air Exhaust Side View



Air Inlet Side View

U.S. Patent #5,851,109; 5,996,627;
400,210 & 6,241,487
Other U.S. Patents Applied for

SandPIPER II®

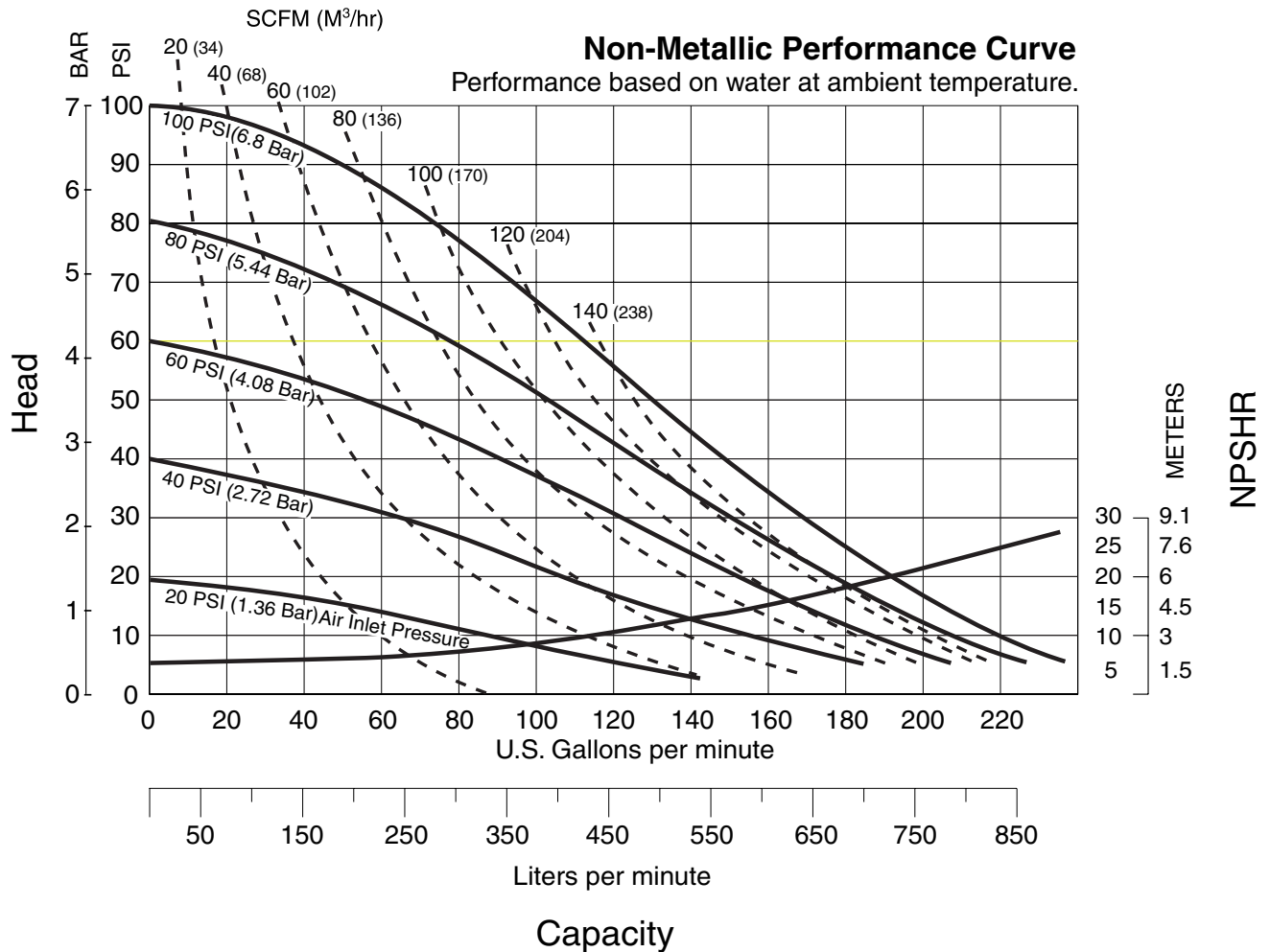
S30 Non-Metallic Design Level 2 Ball Valve

**Air-Powered
Double-Diaphragm Pump**



ENGINEERING, PERFORMANCE
& CONSTRUCTION DATA

INTAKE/DISCHARGE PIPE SIZE	CAPACITY	AIR VALVE	SOLIDS-HANDLING	HEADS UP TO	DISPLACEMENT/STROKE
3" ANSI Flange or 80mm DIN Flange	0 to 238 gallons per minute (0 to 901 liters per minute)	No-lube, no-stall design	Up to .71 in. (18mm)	100 psi or 231 ft. of water (7 bar or 70 meters)	.9 Gallon / 3.41 liter



SandPIPERII® pumps are designed to be powered only by compressed air.

Explanation of Pump Nomenclature

S30 Non-Metallic · Design Level 2· Ball Valve

MODEL	Pump Brand	Pump Size	Check Valve Type	Design Level	Wetted Material	Diaphragm/Check Valve Materials	Check Valve Seat	Non-Wetted Material Options	Porting Options	Pump Style	Pump Options	Shipping Kit Options	Weight lbs. (kg)
S30B2P1PQAS000.	S	30	B	2	P	1	P	Q	A	S	0	00.	231 (105)
S30B2P2PQAS000.	S	30	B	2	P	2	P	Q	A	S	0	00.	231 (105)
S30B2K1KQAS000.	S	30	B	2	K	1	K	Q	A	S	0	00.	315 (143)
S30B2K2KQAS000.	S	30	B	2	K	2	K	Q	A	S	0	00.	315 (143)
S30B2P4PQAV000.	S	30	B	2	P	4	P	Q	A	V	0	00.	270 (122)
S30B2K4KQAV000.	S	30	B	2	K	4	K	Q	A	V	0	00.	354 (161)

Pump Brand

S= SandPIPER II®

Pump Size

30= 3"

Check Valve Type

B= Ball

Design Level

2= Design Level

Wetted Material

K= PVDF

P= Polypropylene

Diaphragm Check Ball Materials

1= Santoprene/Santoprene

2= PTFE Santoprene Backup/PTFE

3= PTFE Pumping, PTFE-Santoprene Backup Driver/PTFE

4= Santoprene Pumping, Santoprene Driver/Santoprene

Check Valve Seat

K= PVDF

P= Polypropylene

Non-Wetted Material

A= Painted Aluminum

J= Painted Aluminum PTFE

Q=Epoxy Coated Aluminum

R=Epoxy Coated Aluminum with

PTFE Coated Hardware

K= PTFE Coated Aluminum

L= PTFE Coated Aluminum with

PTFE Coated Hardware

Porting Options

A= ANSI Flange

D=DIN Flange

7= Dual Porting (ANSI)

8= Top Dual Porting (ANSI)

9= Bottom Dual Porting (ANSI)

Pump Style

D=RuppGUARD™ with Electronic Leak Detection (110V)

E=RuppGUARD™ with Electronic Leak Detection (220V)

M=RuppGUARD™ with Mechanical Leak Detection

S= Standard

V= RuppGUARD™ with Visual Leak Detection

Pump Options

0= None

2= Mesh Muffler

3= High temperature Air Valve w/Encapsulated Muffler

4= High temperature Air Valve w/Sound Dampening Muffler

5= High temperature Air Valve w/Mesh Muffler

Kit Options

00.= None

P0.= 0-30VDC Pulse Output Kit

P1.= Intrinsically-Safe 10-30VDC Pulse Output Kit

P2.= 110/120 or 220/240VAC Pulse Output Kit

P3.= Intrinsically-Safe 110/120VAC Pulse Output Kit

P4.= Intrinsically-Safe 220/240VAC Pulse Output Kit

SR= Stroke Indicator Pins



CAUTION! Operating temperature limitations are as follows:

Materials	Operating Temperatures		
	Maximum*	Minimum*	Optimum**
Santoprene® Injection molded thermoplastic elastomer with no fabric layer. Long mechanical flex life. Excellent abrasion resistance.	212°F 100°C	-10°F -23°C	50° to 212°F 10° to 100°C
Virgin PTFE Chemically inert, virtually impervious. Very few chemicals are known to react chemically with PTFE: molten alkali metals, turbulent liquid or gaseous fluorine and a few fluoro-chemicals such as chlorine trifluoride or oxygen difluoride which readily liberate free fluorine at elevated temperatures.	212°F 100°C	-35°F -37°C	50° to 212°F 10° to 100°C
Polypropylene	150°F 65°C	-40°F 5°C	
PVDF	200°F 93°C	10°F -13°C	10° to 200°F -13° to 93°C

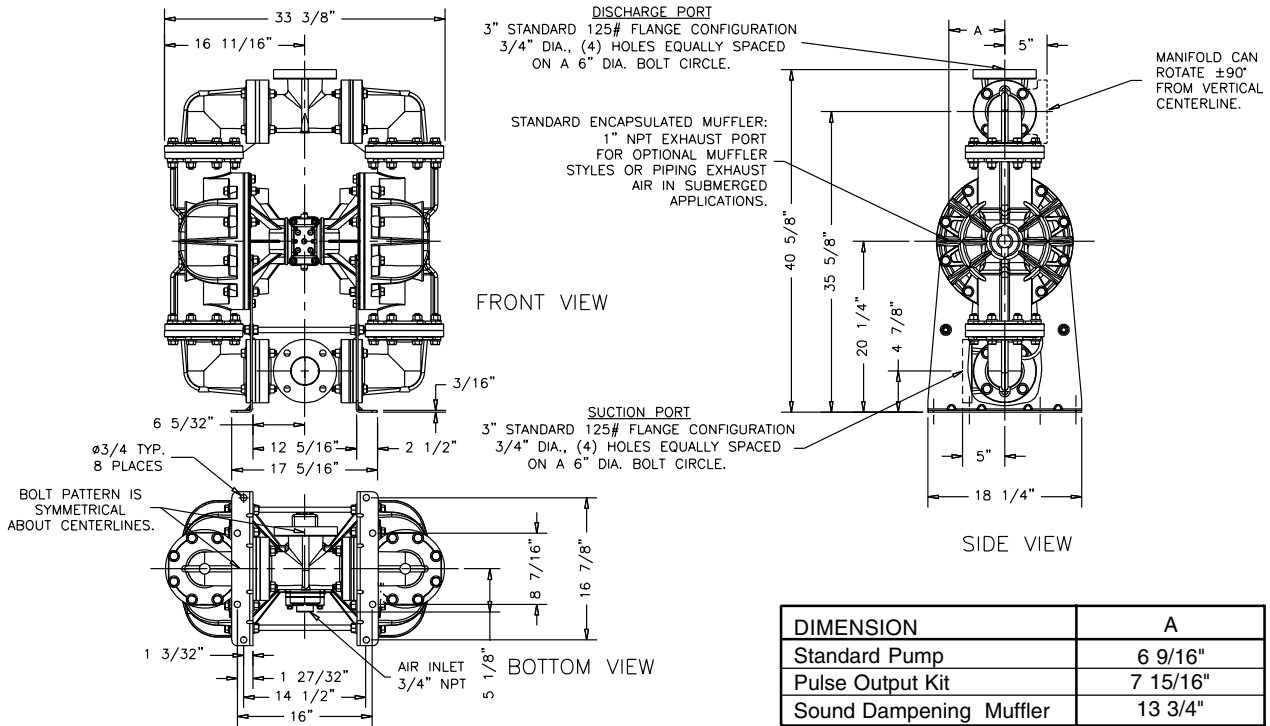
For specific applications, always consult "Chemical Resistance Chart" Technical Bulletin

*Definite reduction in service life.

**Minimal reduction in service life at ends of range.

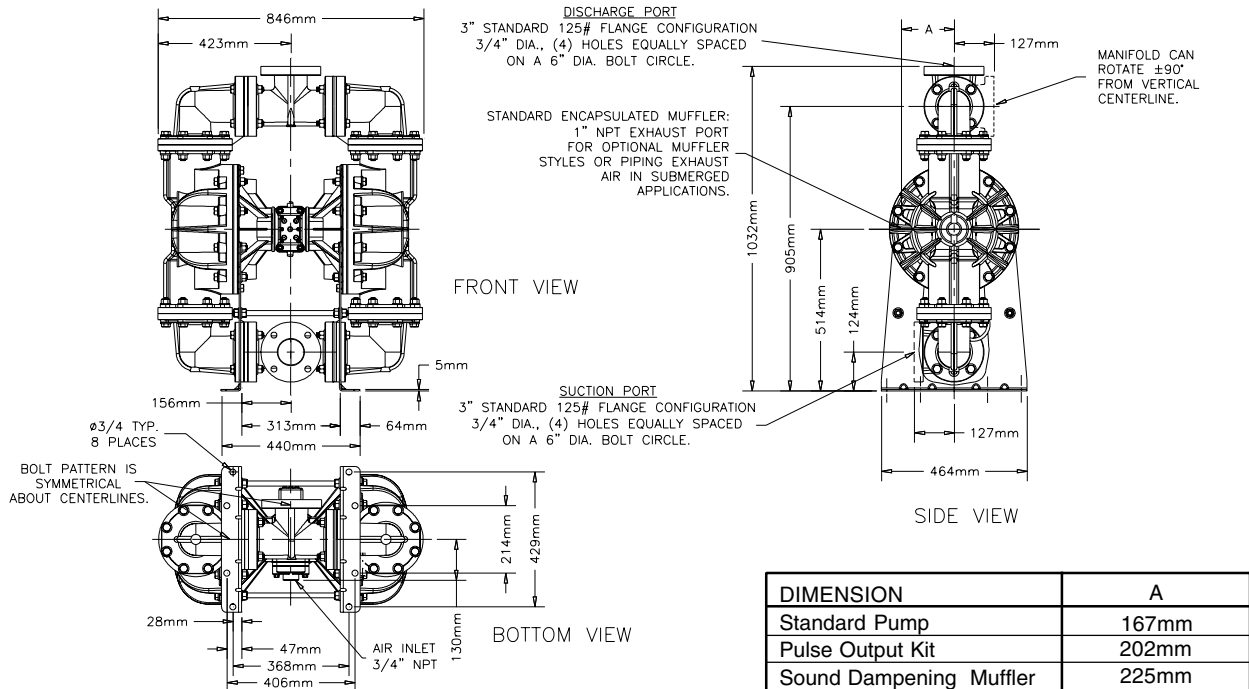
Dimensions: S30 Non-Metallic

Dimensions in Inches
Dimensional Tolerance: $\pm 1/8"$



Note: Porting Flanges are also available with PN10 80mm DIN bolting configuration.

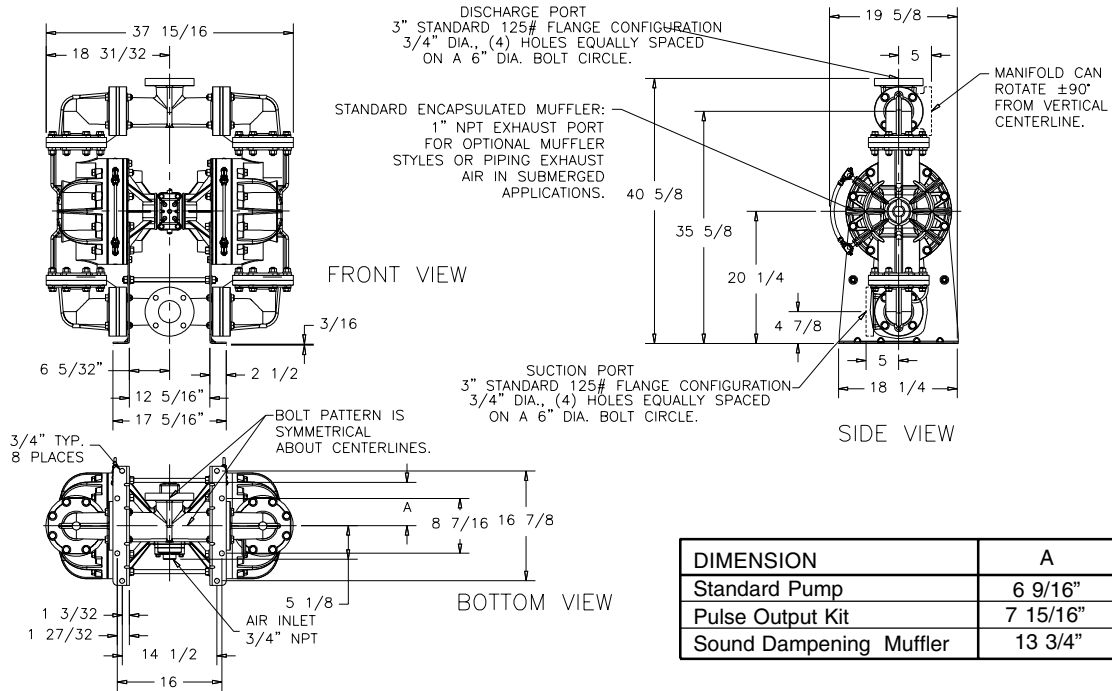
Dimensions in Millimeters
Dimensional Tolerance: ± 3 mm



Dimensions: S30 Non-Metallic

Dimensions in Inches

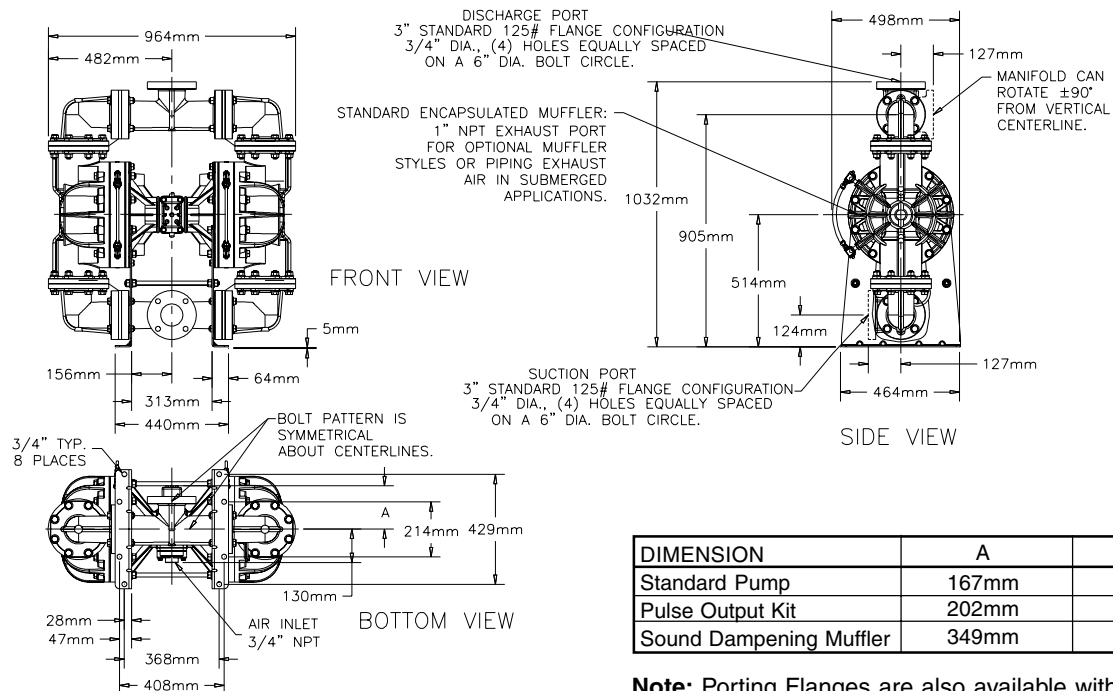
Dimensional Tolerance: $\pm 1/8"$



Note: Porting Flanges are also available with PN10 80mm DIN bolting configuration.

Dimensions in Millimeters

Dimensional Tolerance: $\pm 3\text{mm}$



Note: Porting Flanges are also available with PN10 80mm DIN bolting configuration.